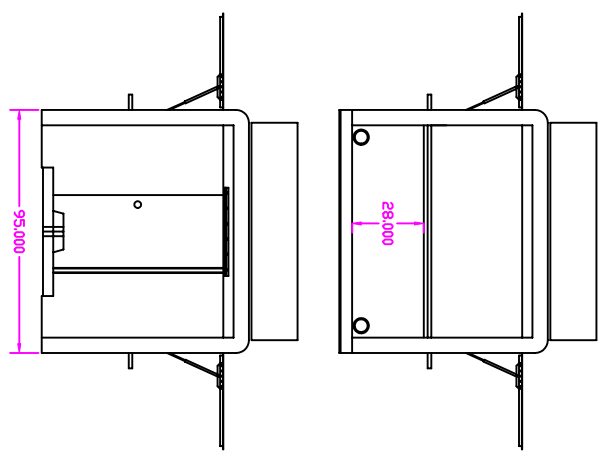
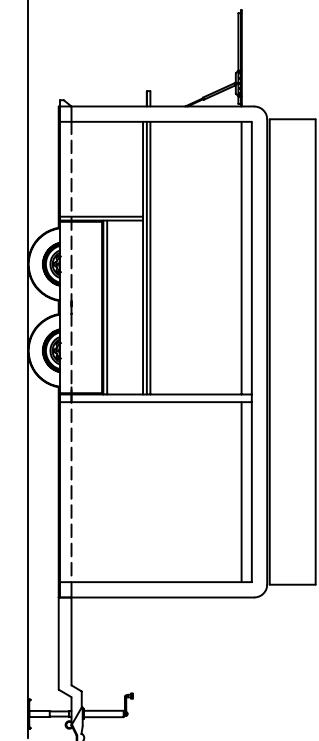
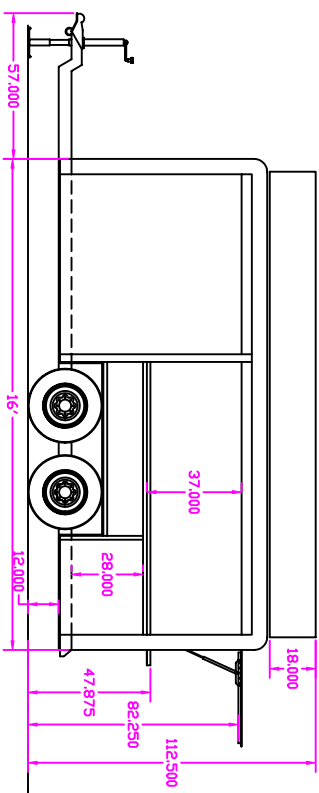
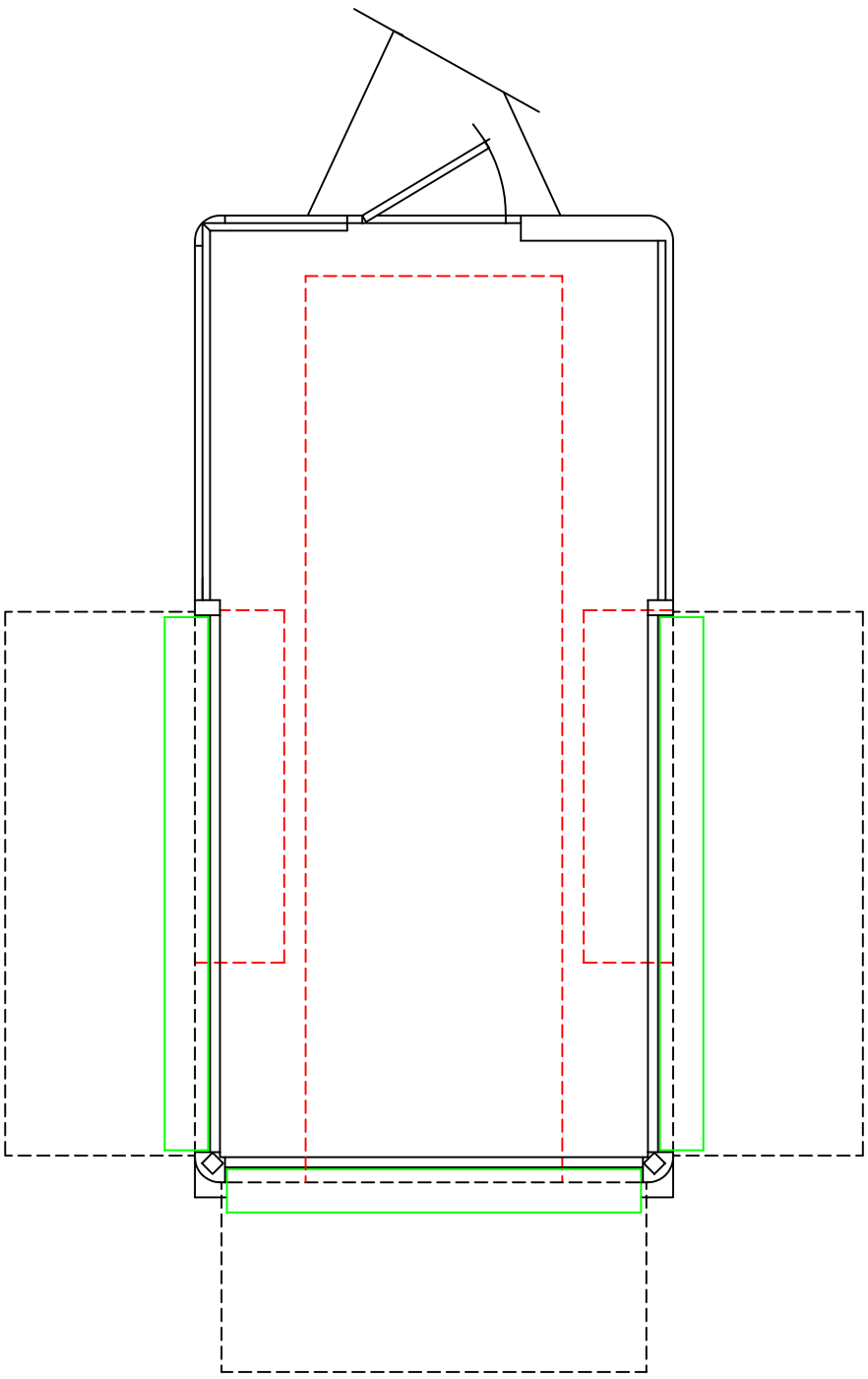


16' X 8' SERIES III



ALL DIMENSIONS ARE TO THE CENTERLINE OF THE TRAILER BODY UNLESS OTHERWISE SPECIFIED. DIMENSIONS ARE TO THE CENTERLINE OF THE TRAILER BODY UNLESS OTHERWISE SPECIFIED. DIMENSIONS ARE TO THE CENTERLINE OF THE TRAILER BODY UNLESS OTHERWISE SPECIFIED.

THIS TRAILER IS TO BE MANUFACTURED IN ACCORDANCE WITH THE DIMENSIONS SHOWN ON THIS DRAWING. NO CHANGES TO THE DIMENSIONS OR MATERIALS SHALL BE MADE WITHOUT THE WRITTEN APPROVAL OF THE MANUFACTURER.

DATE _____

Customer		16' X 8' SERIES III TRAILER	
Date	Drawn	Scale	1"=16'
DHE			
Quote		16' X 8' SERIES III TRAILER	

